

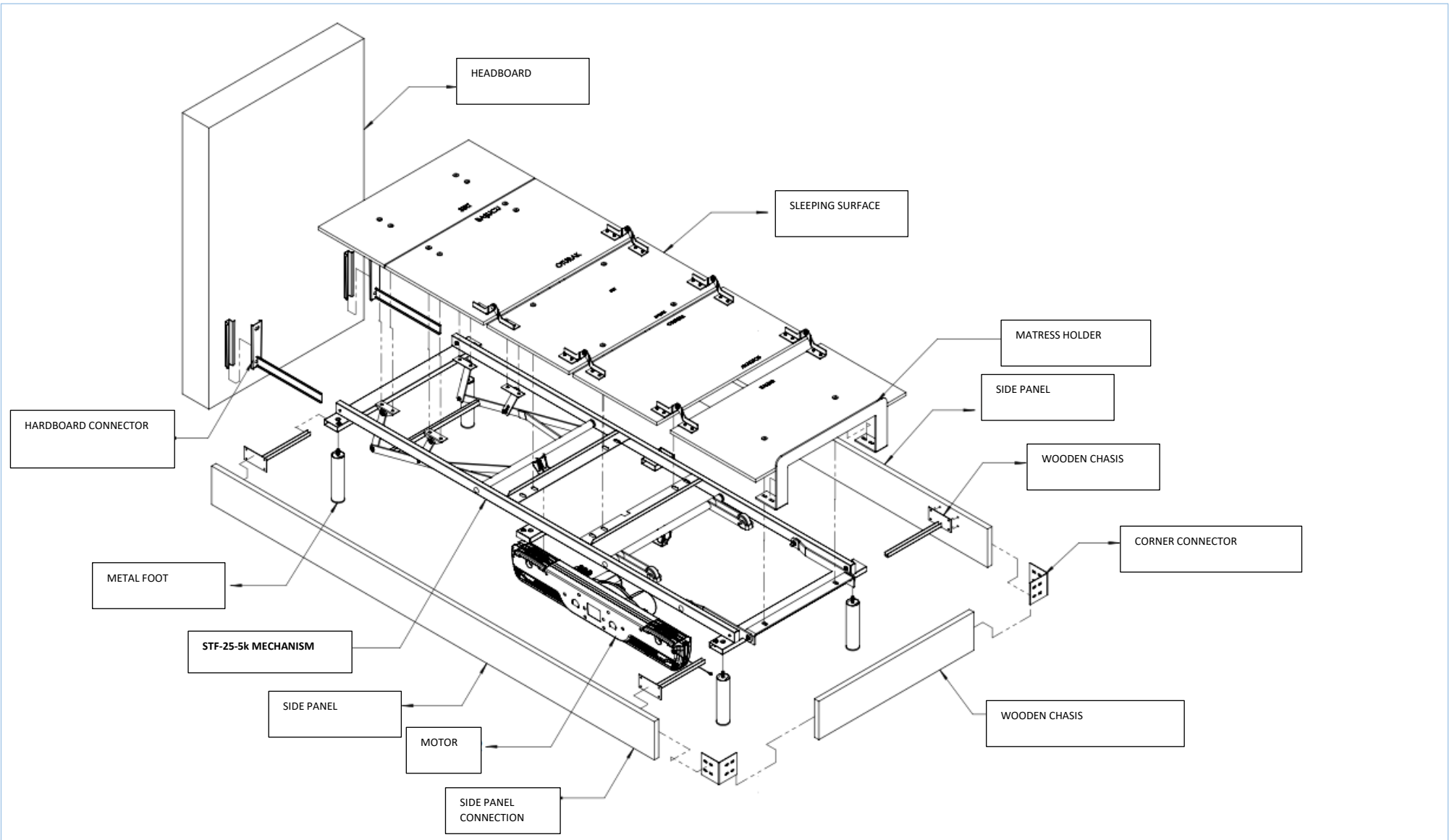


STF-25-5K

MECHANISM

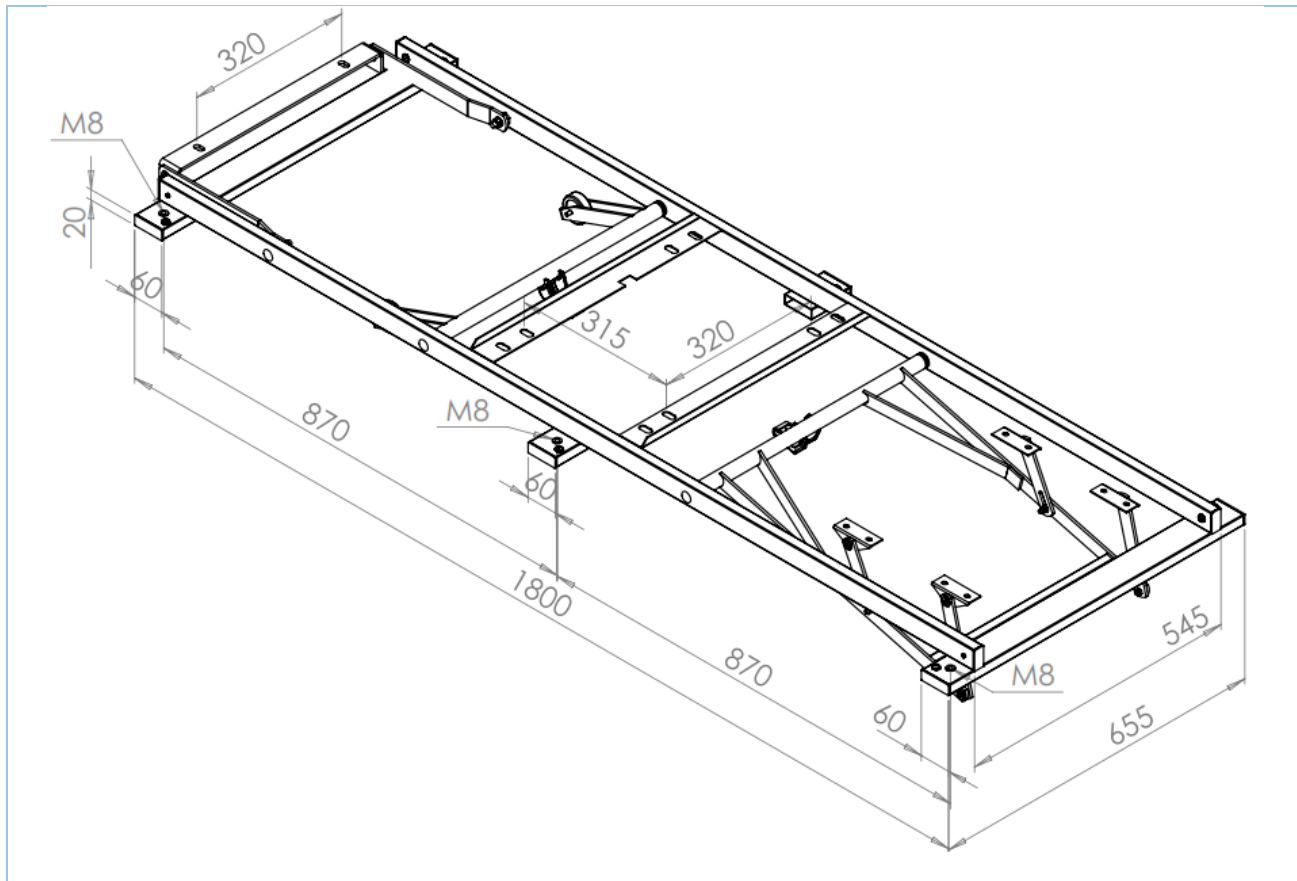
TECHNICAL SPECIFICATIONS





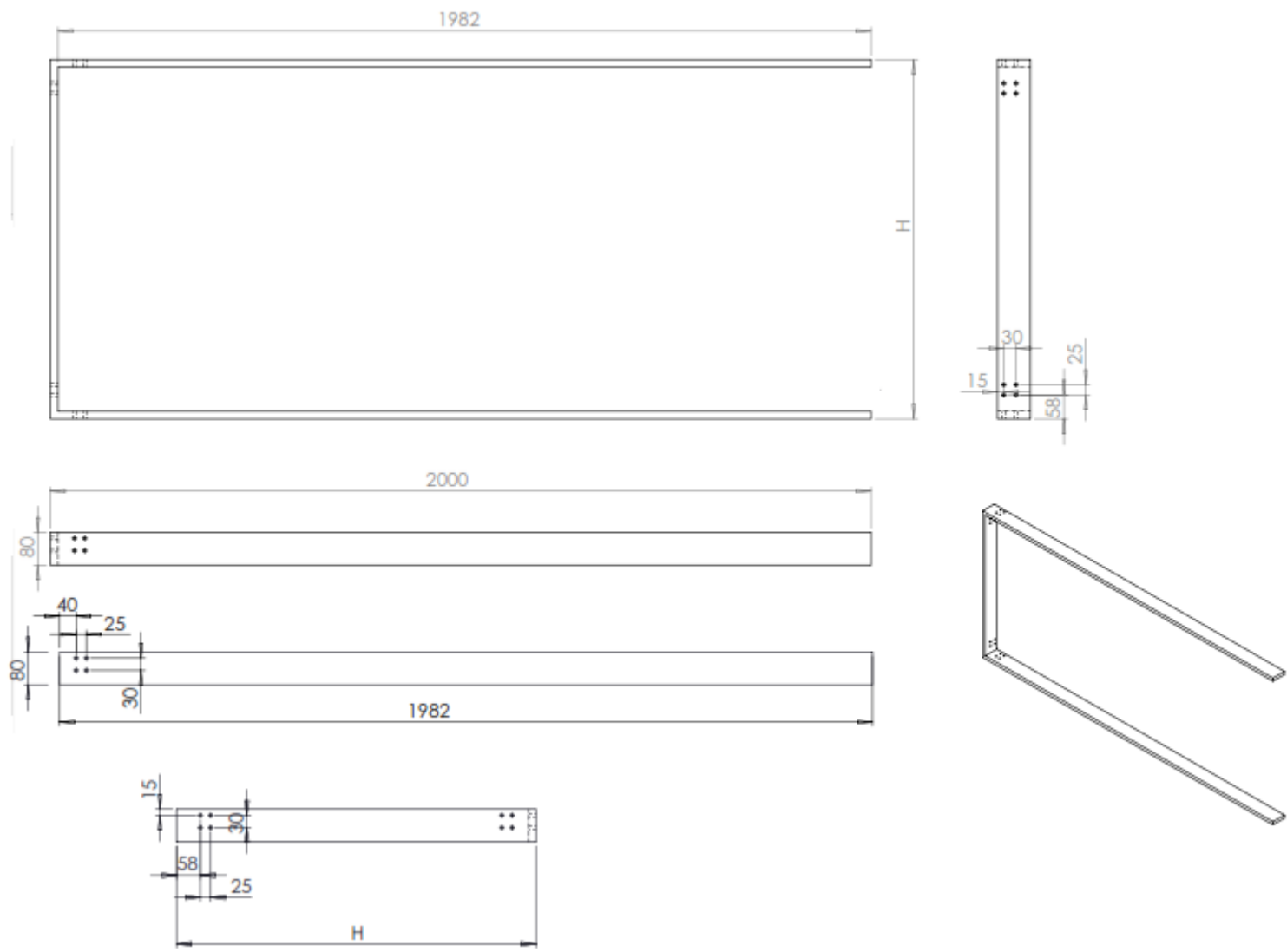
ASSEMBLY GUIDE EXAMPLE FOR STF-27-5K

STF-27-5K
70-80-90x200cm



ITEM CODE	PRODUCT	H(mm)	WEIGHT (KG)
1000010	STF27-5K		





WOODEN CHASIS DETAIL