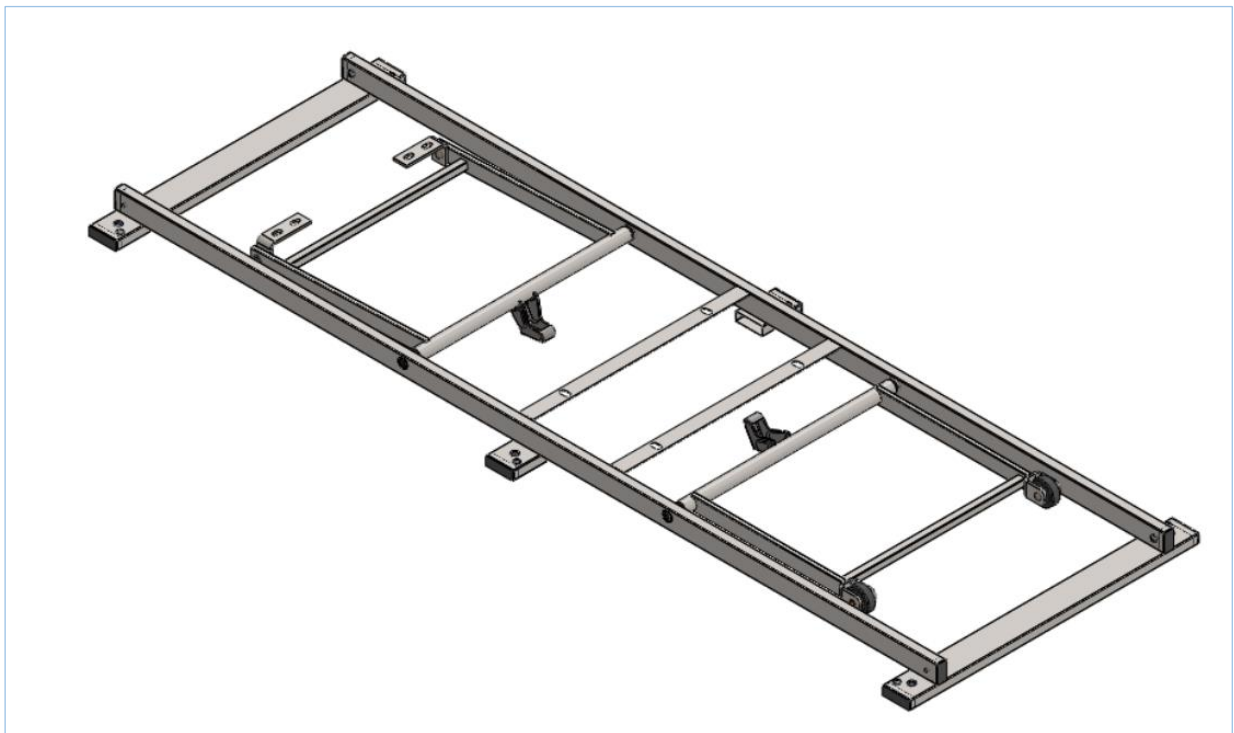


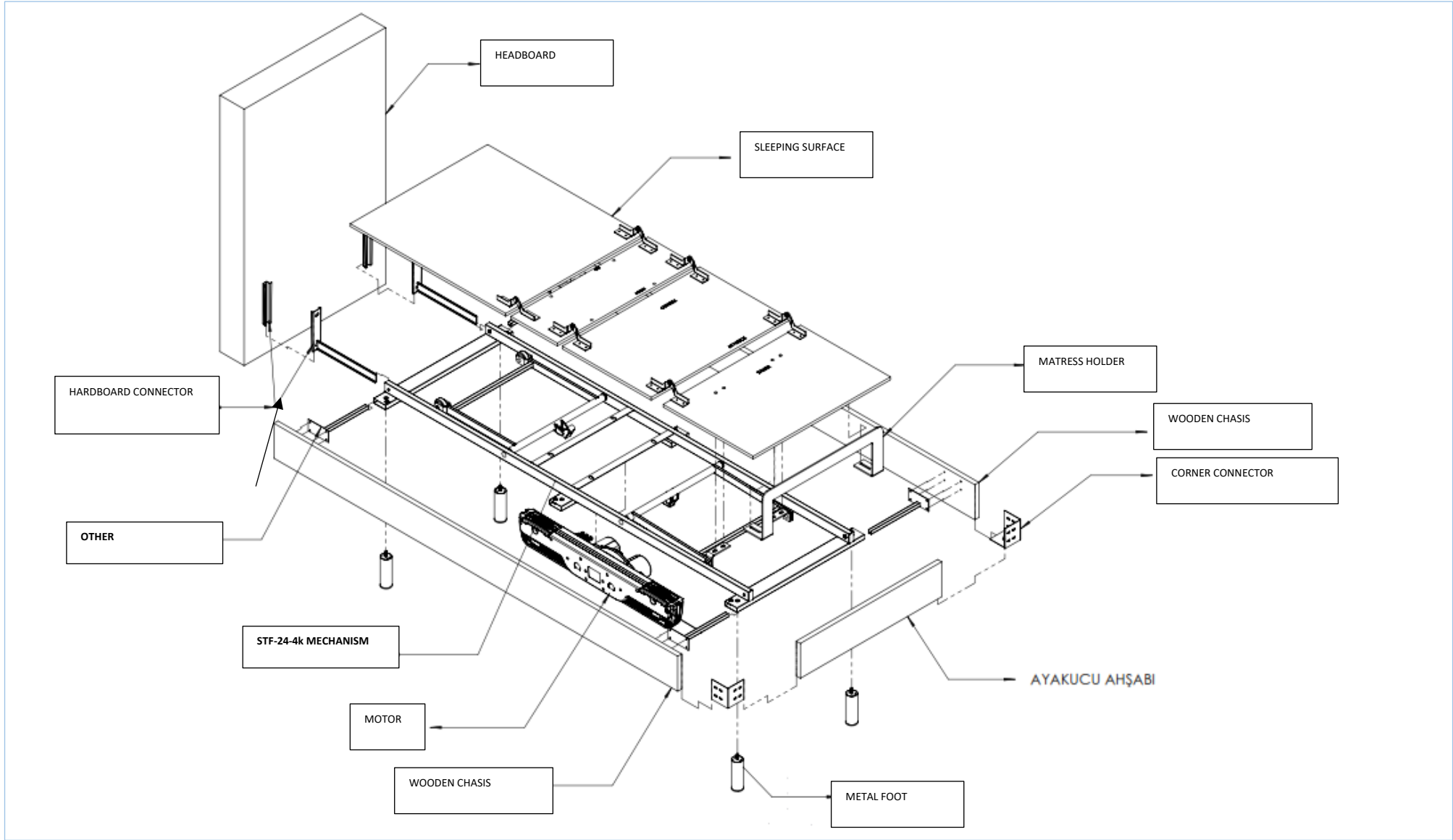


# STF-24-4K

## MECHANISM

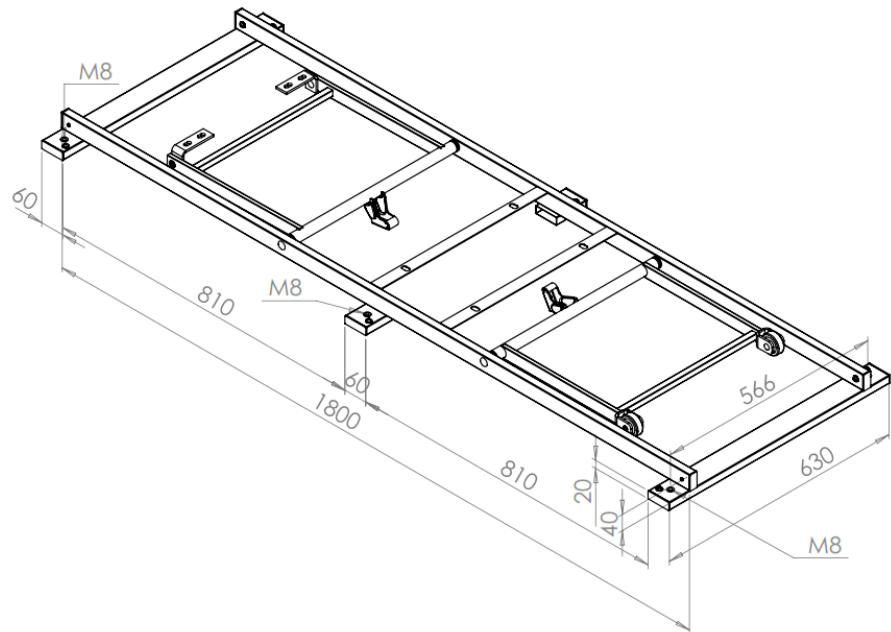
### TECHNICAL SPECIFICATIONS





**ASSEMBLY GUIDE EXAMPLE FOR STF-24-4K**

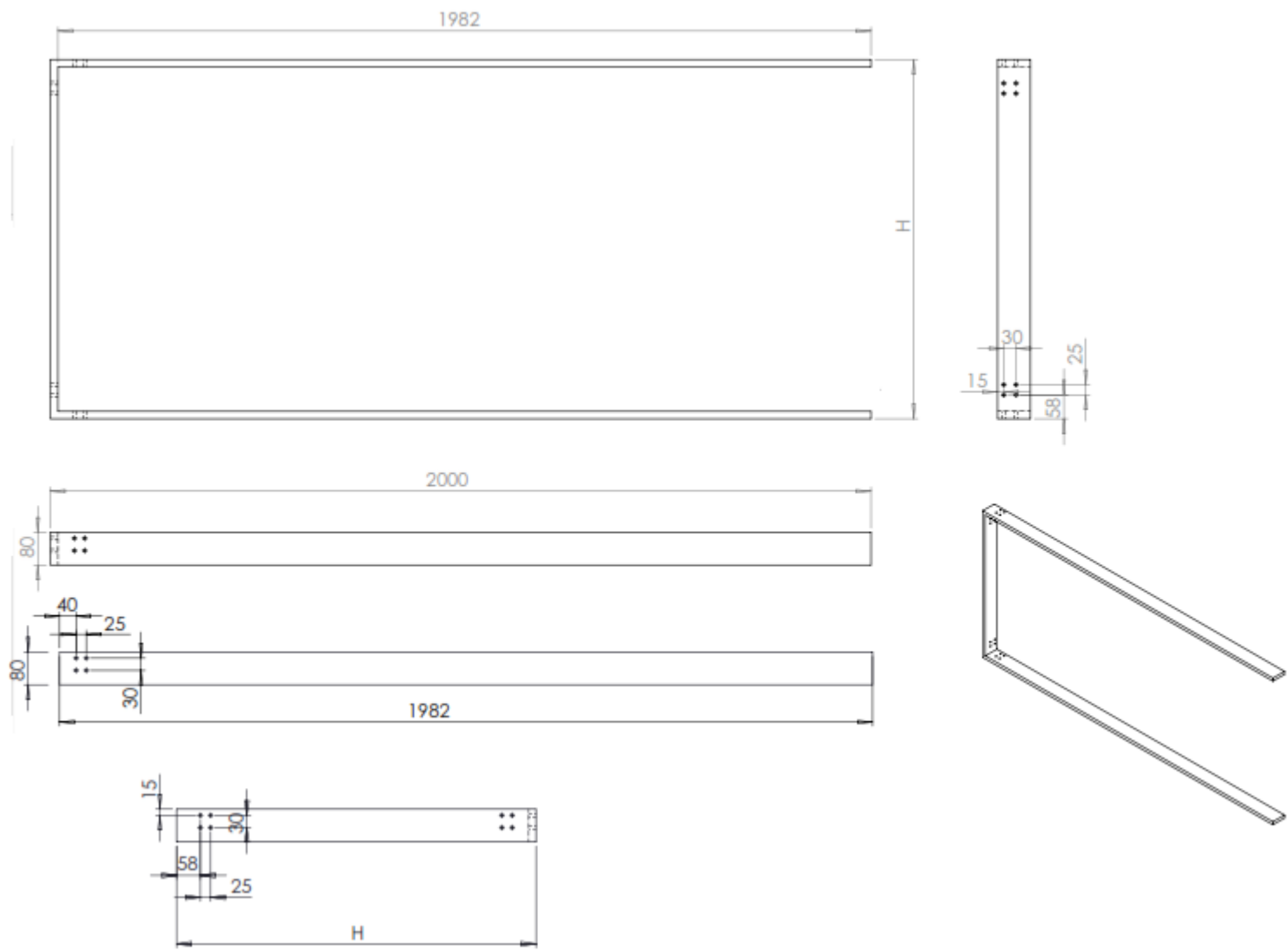
**STF-24-4K**  
**70-80-90x200cm**



ITEM CODE	PRODUCT	H(mm)	WEIGHT (KG)
1000001	STF24-4K		







STF-24-4K WOODEN CHASIS DETAIL