

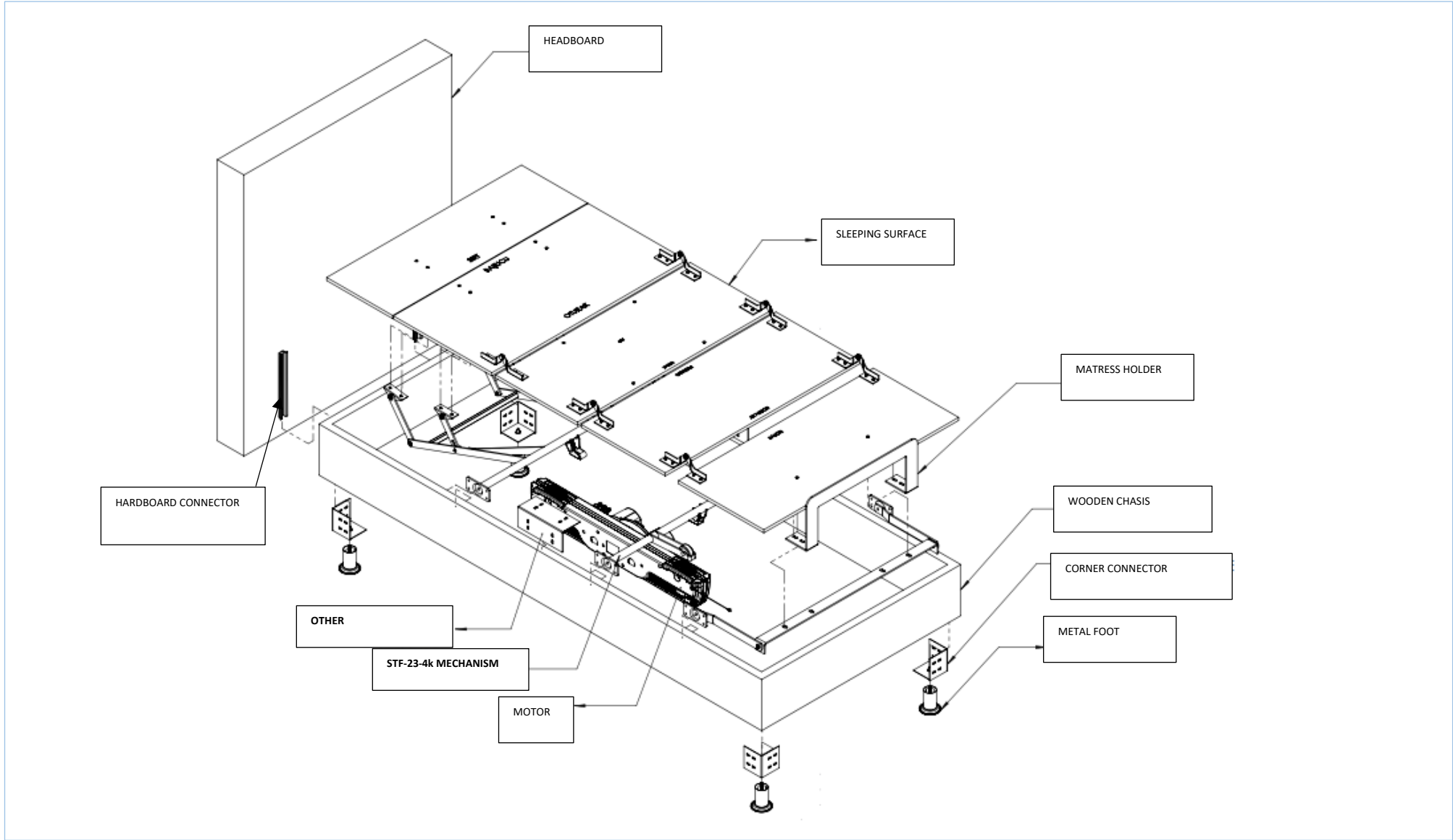


# STF-23-5K

## MECHANISM

### TECHNICAL SPECIFICATIONS

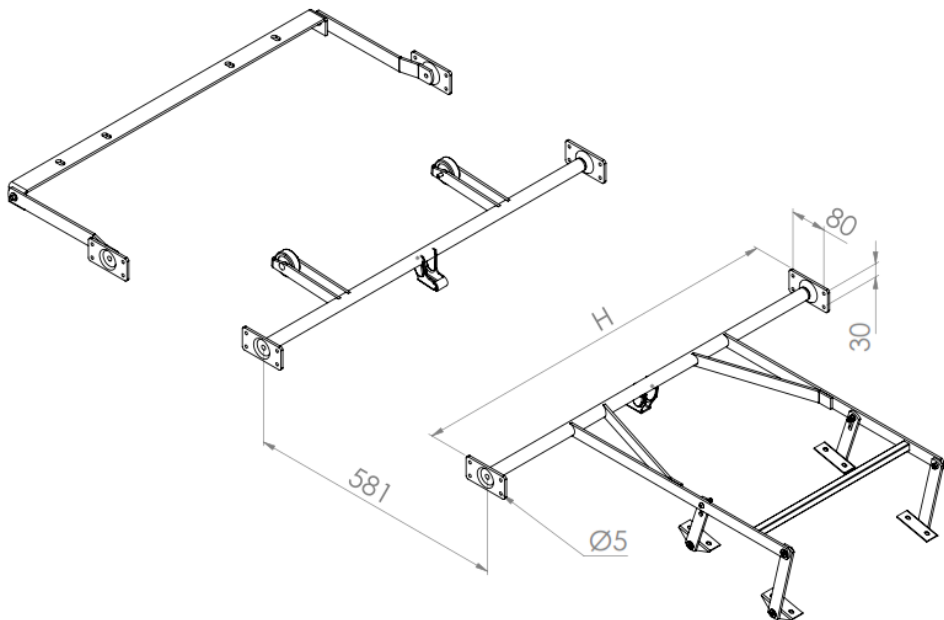




ASSEMBLY GUIDE EXAMPLE FOR STF-23-5K

## STF-23-5K

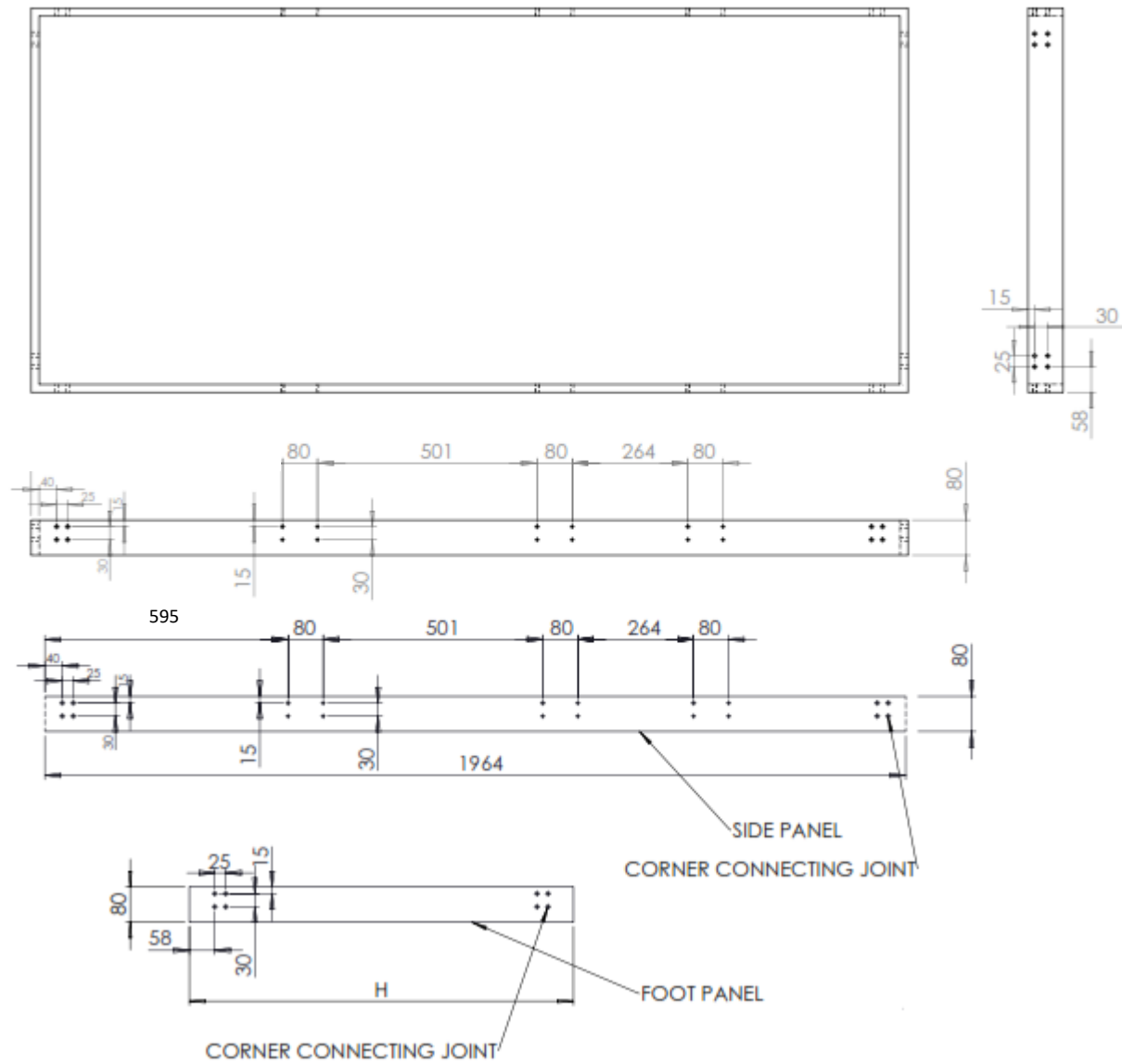
70-80-90-100x200cm



ITEM CODE	PRODUCT	H(mm)	WEIGHT (KG)
1000235	STF23-5K- 70 CM	640	
1000232	STF23-5K- 80 CM	740	
1000571	STF23-5K- 90 CM	840	
1000234	STF23-5K- 100 CM	940	







WOODEN CHASIS DETAIL