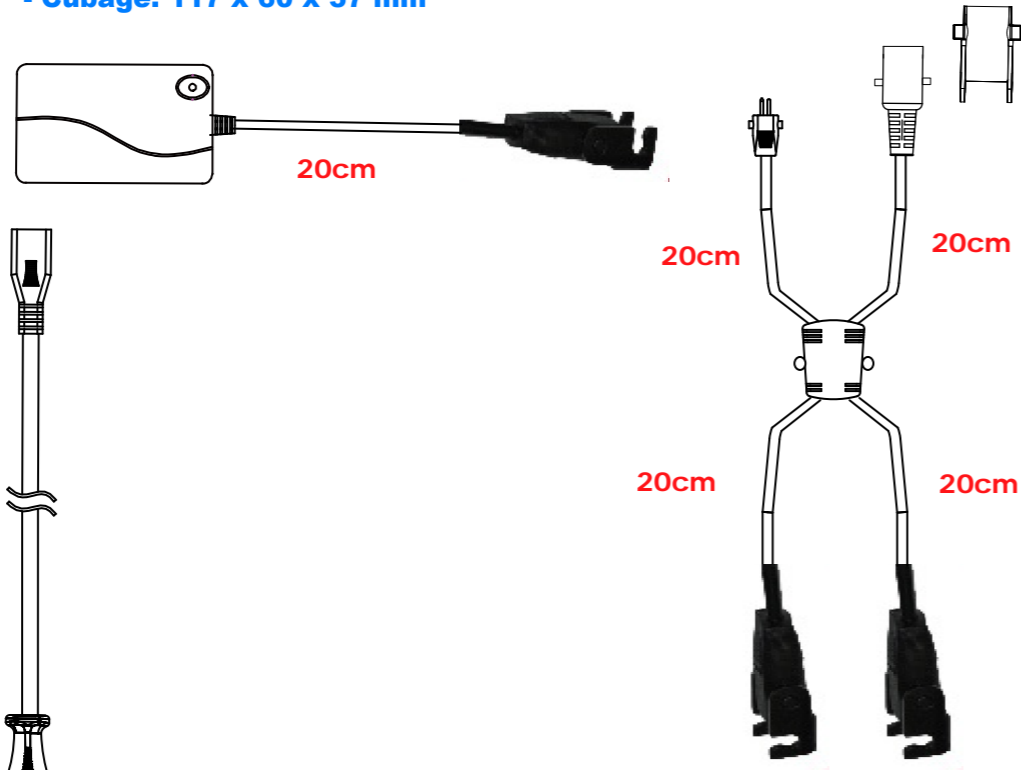
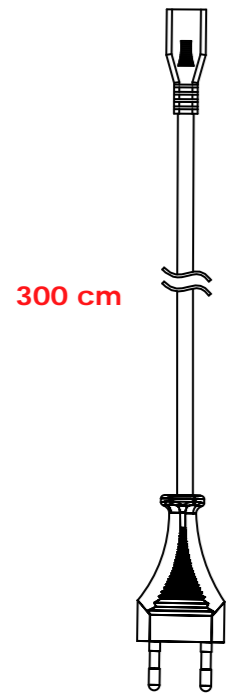


SMPS HJT13E

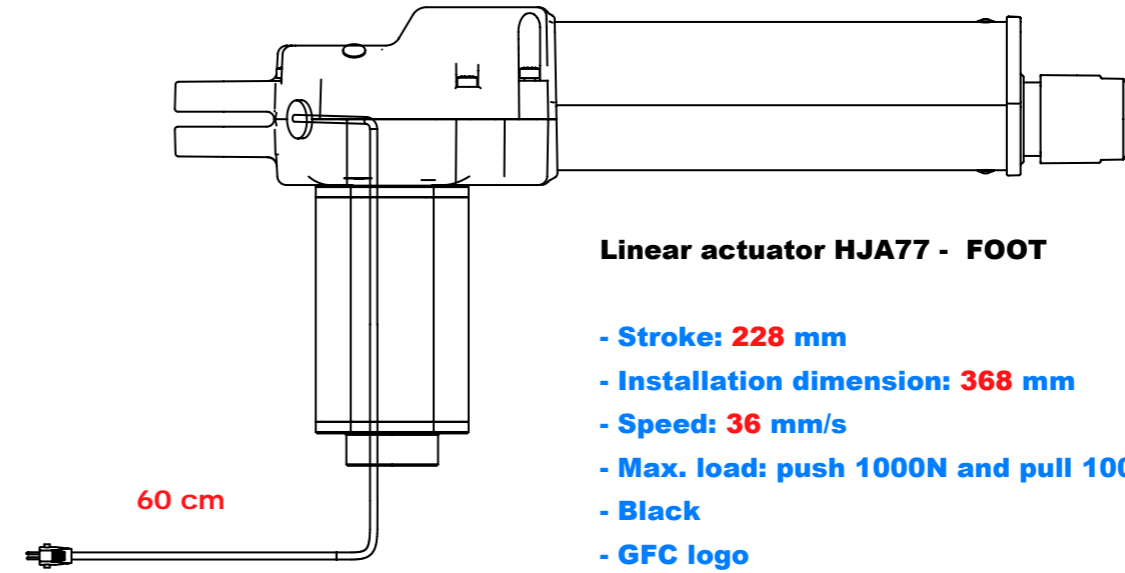
- 29V 1.8A switching-mode power supply
- AC cable detachable
- Without battery
- Cubage: 117 x 60 x 37 mm



X Cable - B917

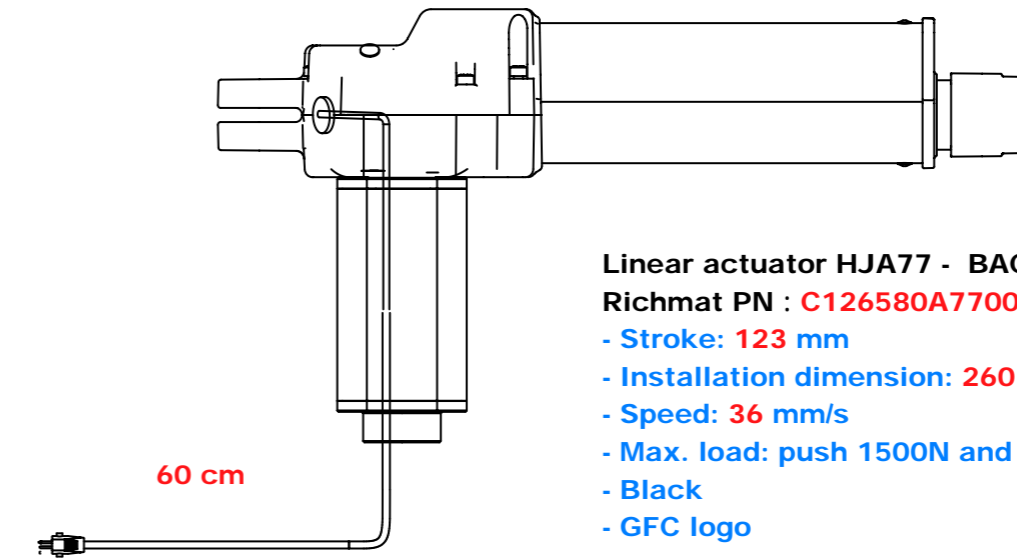


AC Cable With EU Plug - BP16



Linear actuator HJA77 - FOOT

- Stroke: **228 mm**
- Installation dimension: **368 mm**
- Speed: **36 mm/s**
- Max. load: push 1000N and pull 1000N
- Black
- GFC logo



Linear actuator HJA77 - BACK USD 13.50/EA
Richmat PN : **C126580A770024**

- Stroke: **123 mm**
- Installation dimension: **260 mm**
- Speed: **36 mm/s**
- Max. load: push 1500N and pull 1500N
- Black
- GFC logo