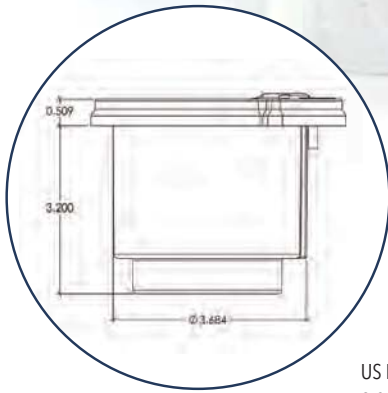


INTEGRATED CUP HOLDER

*Great for home theaters and freestanding recliners.
Request Raffel Systems for all your products today!*

RAFFEL
SYSTEMS



US Patents: 7,766,293 | 8,764,505 |
9,089,122 | 9,192,241 | 9,254,043
D643,252S | Additional Patents Pending

MULTIFUNCTIONAL

Combine the comfort and convenience at your customers fingertips. Relax . . . with Raffel Systems everything is under control!

- The original lighted cup holder
- Sealed, seamless control panel
- On/off light control for inner illumination
- Back-lit, contoured keys enable location in dark environments
- Simple installation
- Safe, low-voltage, and thermal protected
- Designed, engineered and patented in the USA
- United States based parts and technical support

NO ONE packs more control and convenience into seating solutions!



CUSTOMIZABLE

Raffel Systems has unique solutions that will help differentiate your furniture line. Customize the cup holder to your client or your specific needs to set you apart.

OPTIONS INCLUDE:

- MASSAGE
- HEAT
- POWER RECLINE
- PUSH BUTTON
- HEAD REST
- TOUCH SENSOR
- FINISH/COLOR
- USB CHARGING
- COLOR LED'S
- LUMBAR

262-502-1011 | 888-987-1011

N112 W14600 Mequon Road, Germantown, WI 53022

Raffel.com