

8 7 6 5 4 3 2 1

D

D

C

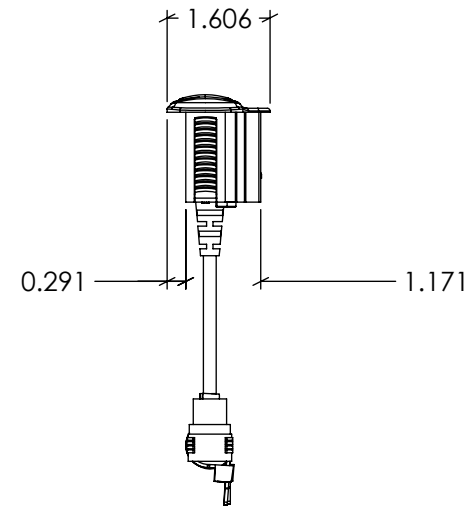
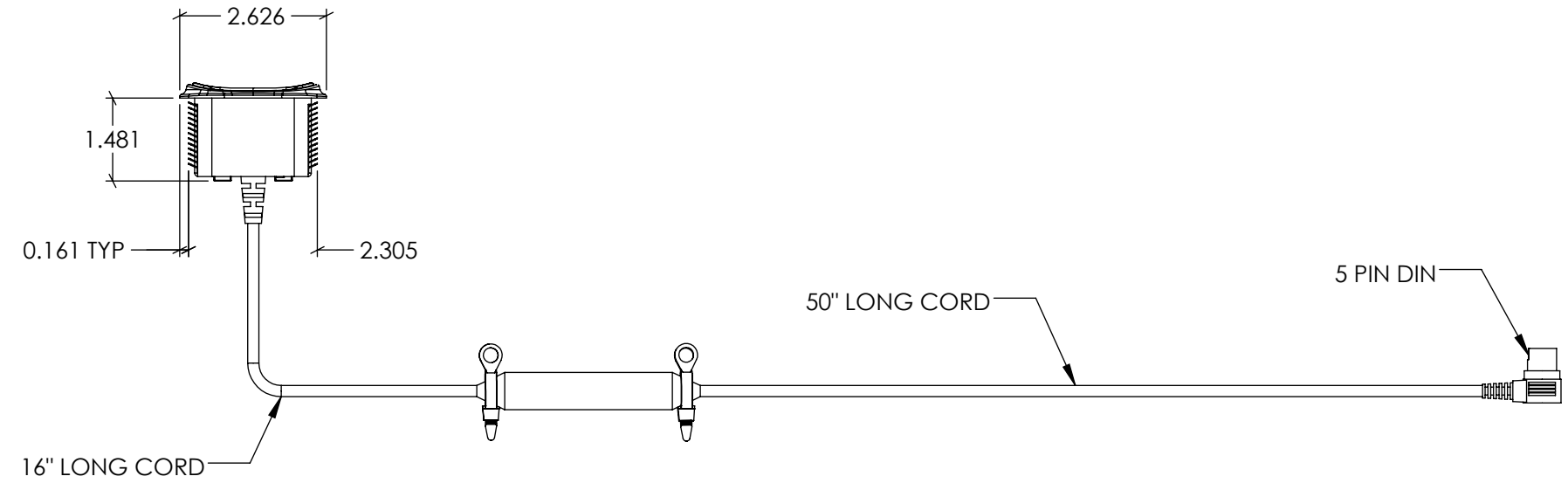
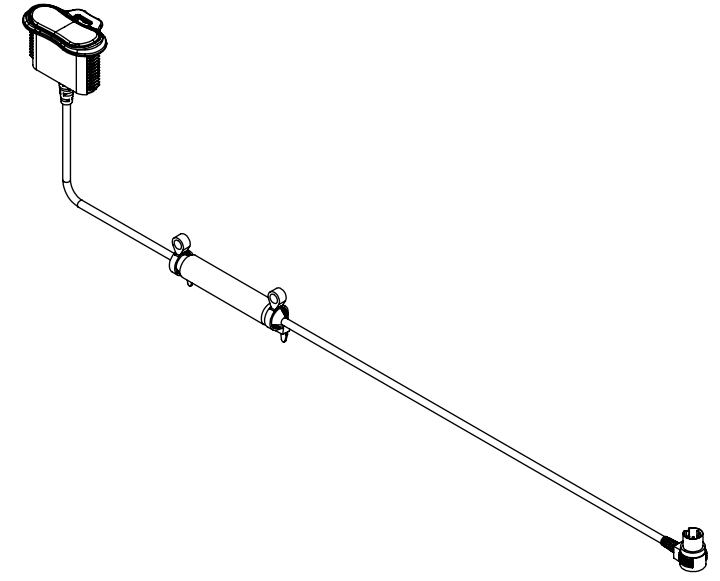
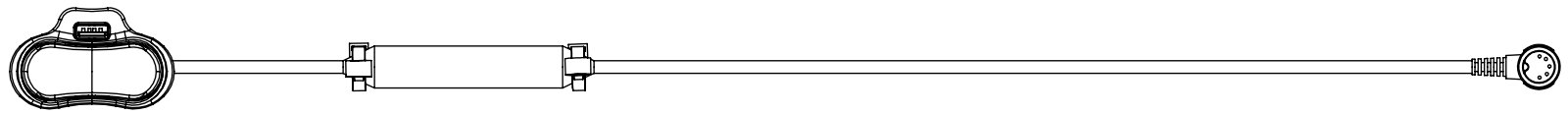
C

B

B

A

A



PATENT PENDING

PROPRIETARY AND CONFIDENTIAL
 THE INFORMATION CONTAINED IN THIS DRAWING IS THE SOLE PROPERTY OF RAFFEL SYSTEMS. ANY REPRODUCTION IN PART OR AS A WHOLE WITHOUT THE WRITTEN PERMISSION OF RAFFEL SYSTEMS IS PROHIBITED.

		UNLESS OTHERWISE SPECIFIED:		NAME	DATE	<h1>RAFFEL SYSTEMS</h1> <p>TITLE: PRS 02 USB</p>	
		DIMENSIONS ARE IN INCHES TOLERANCES: FRACTIONAL ± ANGULAR: MACH ± BEND ± TWO PLACE DECIMAL ±0.01 THREE PLACE DECIMAL ±0.005		DRAWN	MPR		1/11/16
		INTERPRET GEOMETRIC TOLERANCING PER:		CHECKED			
NEXT ASSY	USED ON	MATERIAL		ENG APPR.			
APPLICATION		FINISH		MFG APPR.			
		DO NOT SCALE DRAWING		Q.A.			
				COMMENTS:			
				SIZE	DWG. NO.	REV	
				B		A	
				SCALE: 1:1		SHEET 1 OF 1	

8 7 6 5 4 3 2 1