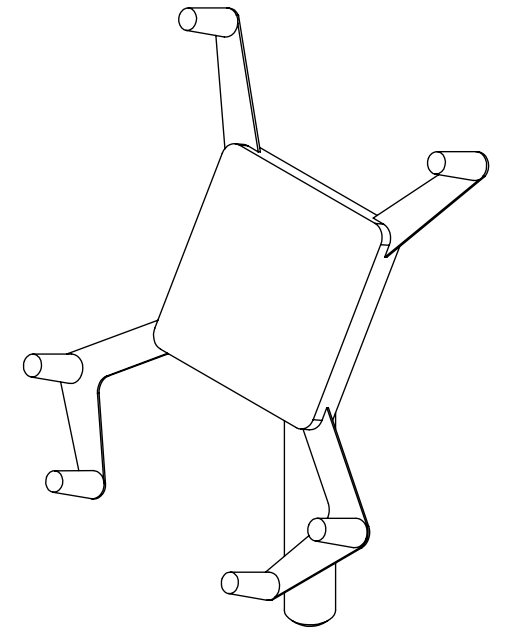
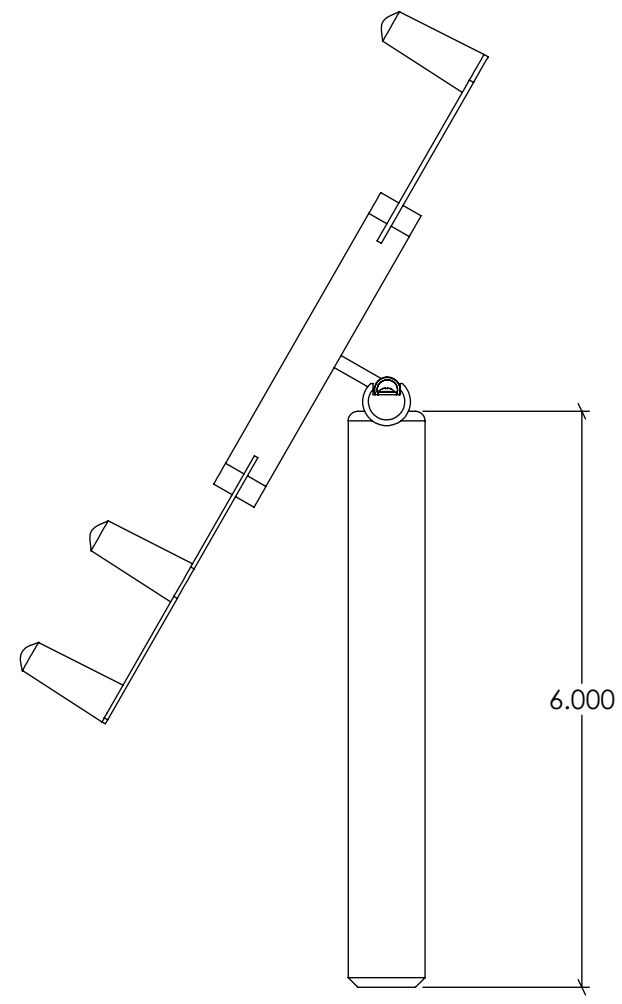
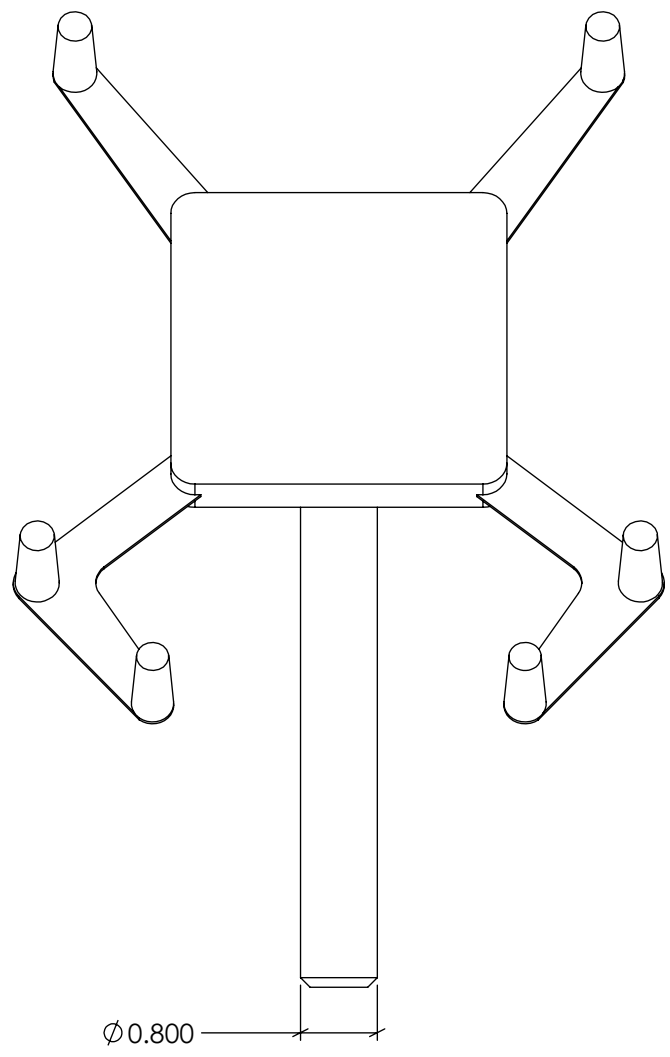


8 7 6 5 4 3 2 1

D
C
B
A

D
C
B
A



PATENT PENDING

PROPRIETARY AND CONFIDENTIAL
 THE INFORMATION CONTAINED IN THIS DRAWING IS THE SOLE PROPERTY OF RAFFEL SYSTEMS. ANY REPRODUCTION IN PART OR AS A WHOLE WITHOUT THE WRITTEN PERMISSION OF RAFFEL SYSTEMS IS PROHIBITED.

		UNLESS OTHERWISE SPECIFIED:		NAME	DATE	<h1>RAFFEL SYSTEMS</h1> <p>TITLE: PAS IH</p>
		DIMENSIONS ARE IN INCHES TOLERANCES: FRACTIONAL ± ANGULAR: MACH ± BEND ± TWO PLACE DECIMAL ±0.01 THREE PLACE DECIMAL ±0.005		DRAWN	MPR 2/16/16	
		INTERPRET GEOMETRIC TOLERANCING PER:		CHECKED		
NEXT ASSY	USED ON	MATERIAL		ENG APPR.		
APPLICATION		FINISH		MFG APPR.		
		DO NOT SCALE DRAWING		Q.A.		SIZE B DWG. NO. REV A
				COMMENTS:		SCALE: 1:1 SHEET 1 OF 1