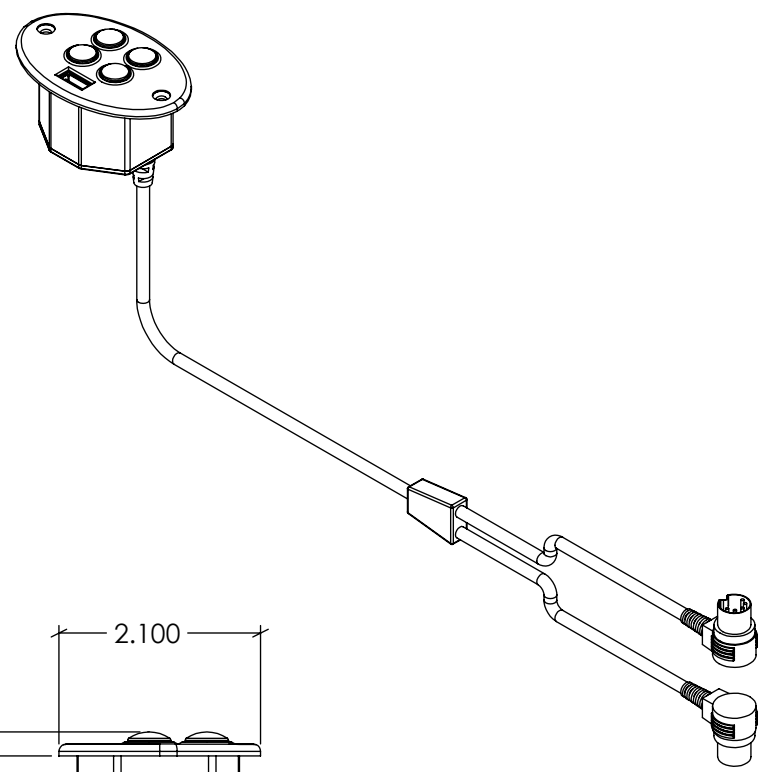
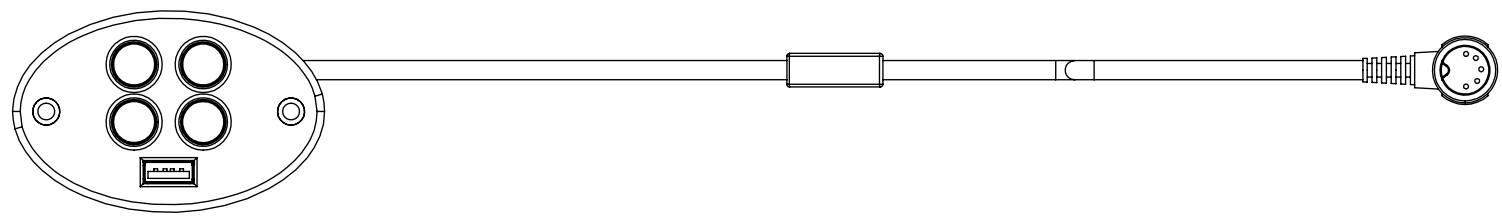


8 7 6 5 4 3 2 1

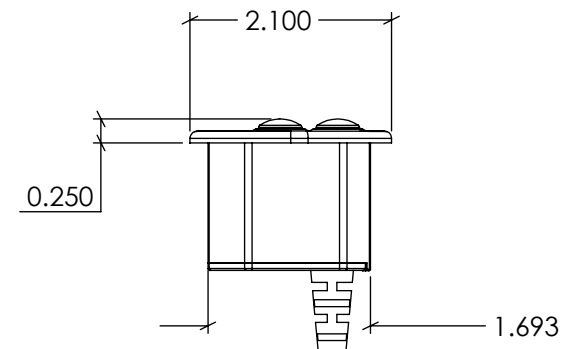
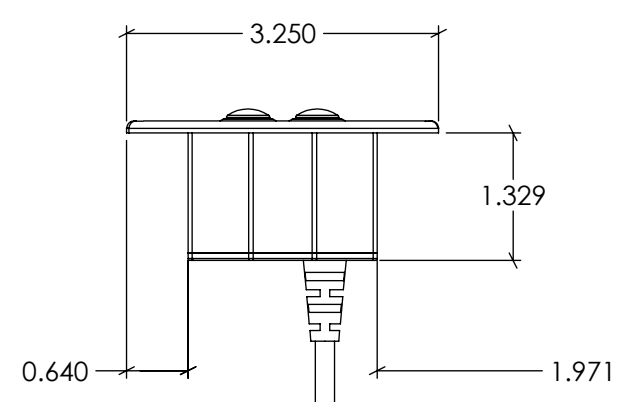
D

D



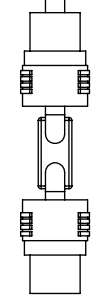
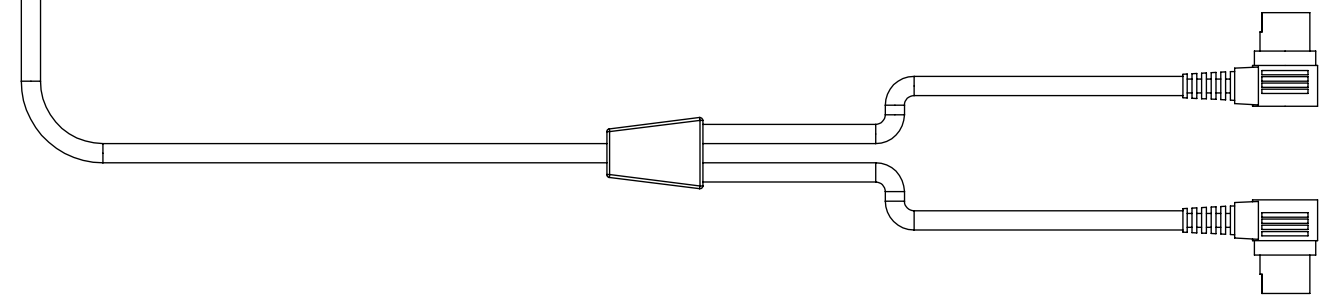
C

C



B

B



A

A

**PATENT PENDING**

**PROPRIETARY AND CONFIDENTIAL**  
 THE INFORMATION CONTAINED IN THIS DRAWING IS THE SOLE PROPERTY OF RAFFEL SYSTEMS. ANY REPRODUCTION IN PART OR AS A WHOLE WITHOUT THE WRITTEN PERMISSION OF RAFFEL SYSTEMS IS PROHIBITED.

		UNLESS OTHERWISE SPECIFIED:		NAME	DATE	<h1>RAFFEL SYSTEMS</h1> <p>TITLE: <b>CTR UR2 01</b></p>	
		DIMENSIONS ARE IN INCHES TOLERANCES: FRACTIONAL ± ANGULAR: MACH ± BEND ± TWO PLACE DECIMAL ±0.01 THREE PLACE DECIMAL ±0.005		DRAWN	MPR		1/21/16
				CHECKED			
				ENG APPR.			
				MFG APPR.			
				Q.A.			
				COMMENTS:			
		INTERPRET GEOMETRIC TOLERANCING PER:					
NEXT ASSY	USED ON	MATERIAL					
APPLICATION		FINISH					
		DO NOT SCALE DRAWING					
				SIZE	DWG. NO.	REV	
				<b>B</b>		<b>A</b>	
				SCALE: 1:1		SHEET 1 OF 1	

8 7 6 5 4 3 2 1