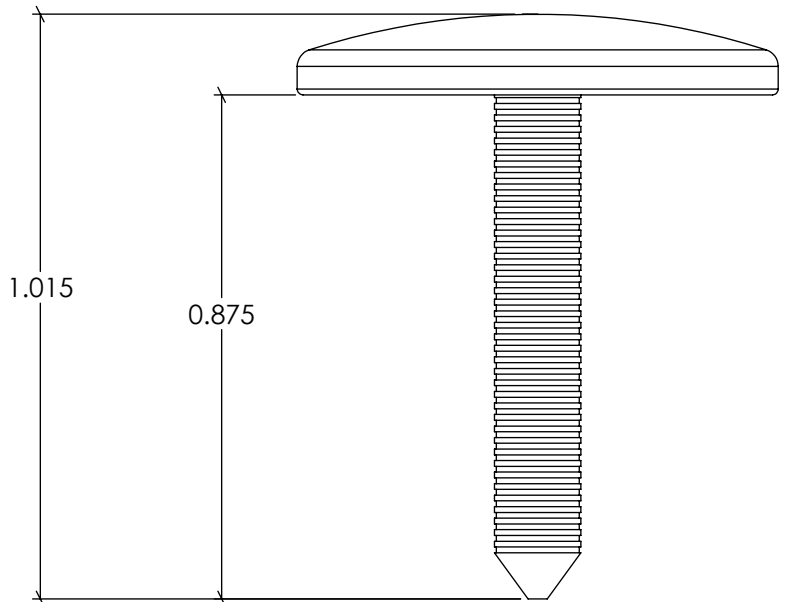
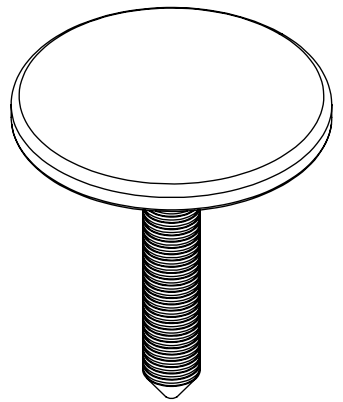
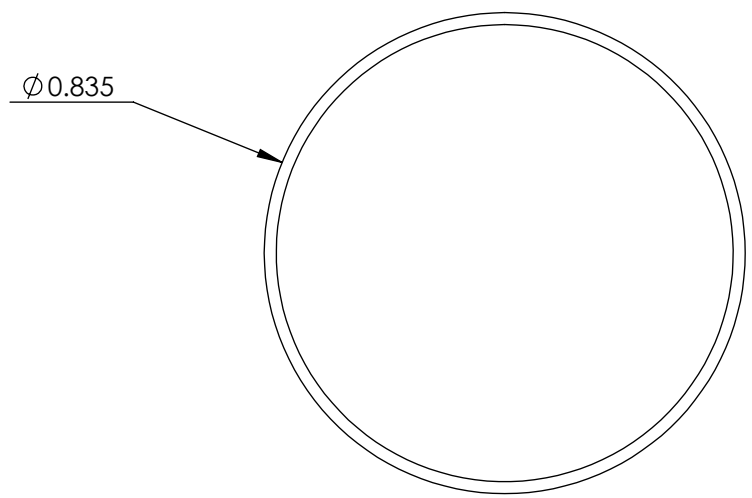


8 7 6 5 4 3 2 1

D
C
B
A

D
C
B
A



PATENT PENDING

PROPRIETARY AND CONFIDENTIAL
 THE INFORMATION CONTAINED IN THIS DRAWING IS THE SOLE PROPERTY OF RAFFEL SYSTEMS. ANY REPRODUCTION IN PART OR AS A WHOLE WITHOUT THE WRITTEN PERMISSION OF RAFFEL SYSTEMS IS PROHIBITED.

		UNLESS OTHERWISE SPECIFIED:		NAME	DATE	<h1>RAFFEL SYSTEMS</h1> <p>TITLE: BTN TS .875</p>	
		DIMENSIONS ARE IN INCHES TOLERANCES: FRACTIONAL \pm ANGULAR: MACH \pm BEND \pm TWO PLACE DECIMAL ± 0.01 THREE PLACE DECIMAL ± 0.005		DRAWN	MPR		1/25/16
		INTERPRET GEOMETRIC TOLERANCING PER:		CHECKED			
NEXT ASSY	USED ON	MATERIAL		ENG APPR.			
APPLICATION		FINISH		MFG APPR.			
		DO NOT SCALE DRAWING		Q.A.			
				COMMENTS:			
			SCALE: 1:1		SHEET 1 OF 1		
			SIZE B		DWG. NO.		
					REV A		

8 7 6 5 4 3 2 1