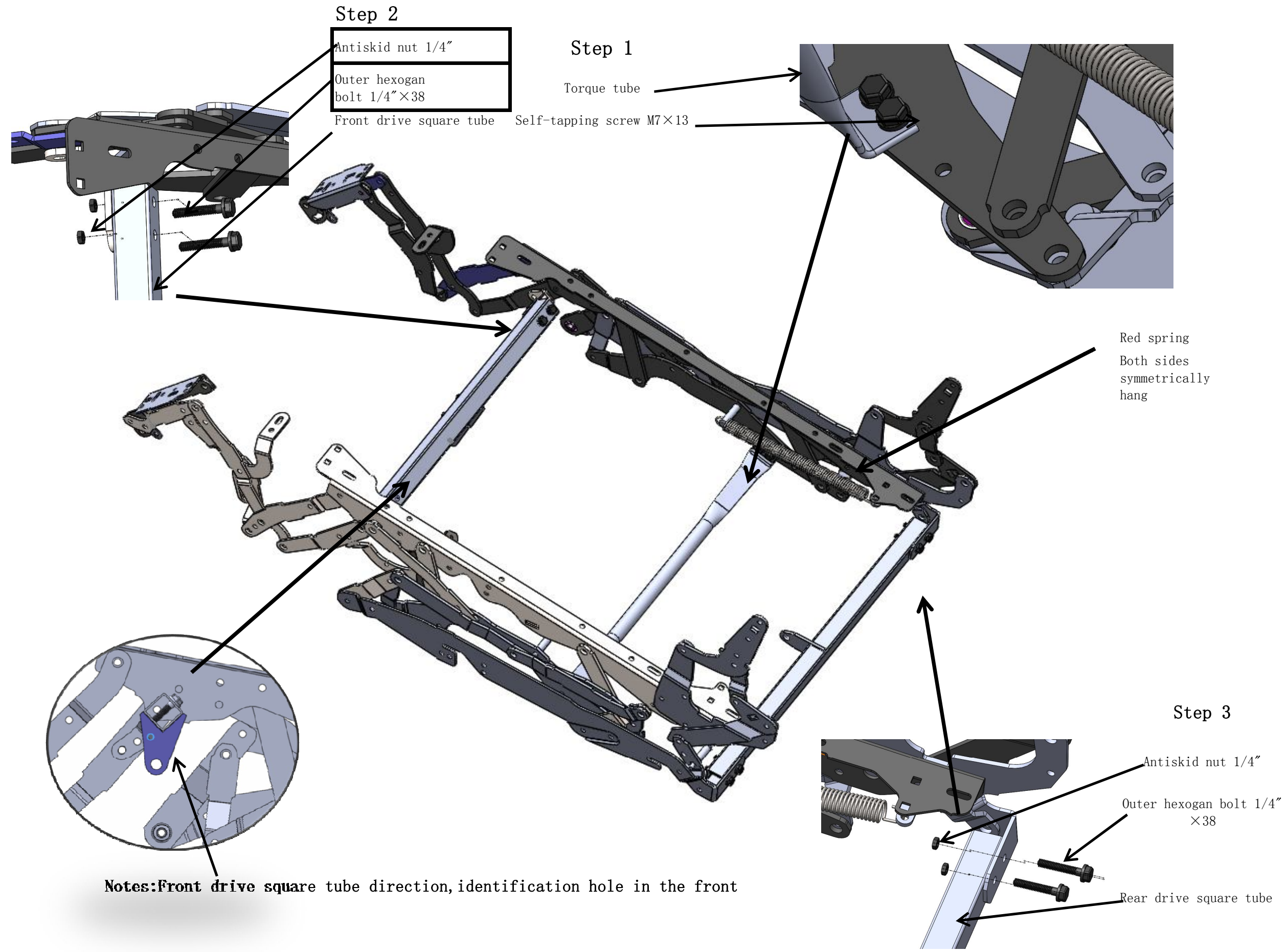


2863/2853 Assembly Instruction



编制:

审核:

批准: